

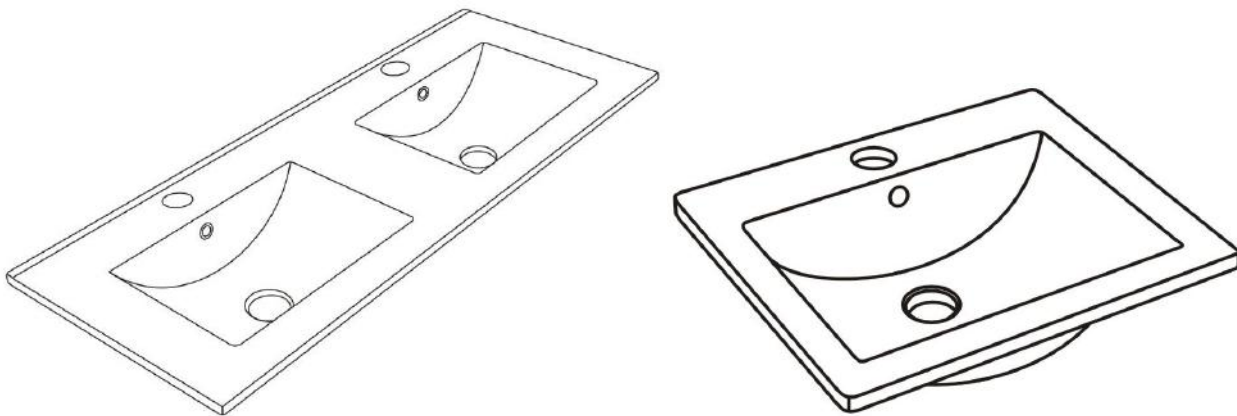
# USER MANUAL



Thank you for choosing Better Bathrooms.  
Please read this manual before installing your product  
and keep for future reference.

**better**   
**bathrooms**

## Vanity Basin



Please note: Image is for illustrative purposes only and may differ slightly to the actual product

- **Single-person assembly**
- **Tools required**
- **We always recommend using professional tradespeople to install your product**

V3\_12.10.21

# Congratulations on your purchase

*And welcome to our growing gang of savvy shoppers*

We're on a mission to bring you extraordinary bathroom products, for less. From modern to traditional style ceramics, plus the gorgeous fixtures, fittings and furniture to match. So, you can fall in love with your space every single day.

As one of the UK's largest independent bathroom stores, we've received countless awards; including the National Business Awards UK, the Digital Entrepreneur Awards and being placed on The Sunday Times Fast Track 100.

We hope your new product goes above and beyond your expectations. However, should any problems occur, please:

- log in to your account and contact our customer services team via your self-serve portal – [betterbathrooms.com/CustomerAccount/Login](https://betterbathrooms.com/CustomerAccount/Login)
- contact us via [betterbathrooms.com/content/contact-us](https://betterbathrooms.com/content/contact-us)

## Important information

- Please read these instructions thoroughly and retain for future reference
- Always check for pipes and cables before drilling

## Contents

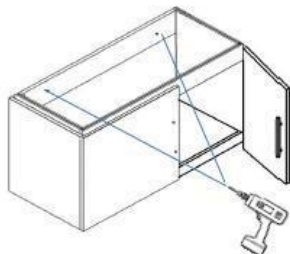
- Basin x 1

## Tools required

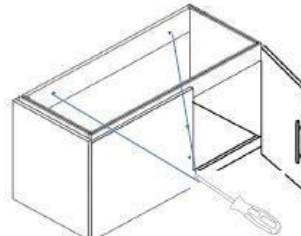
Silicone, Drill ,Spanner

# Installation

1  
Check the wall for pipes and wires before drilling, drill through the back plinth into the wall in the desired location, ensuring the unit is level

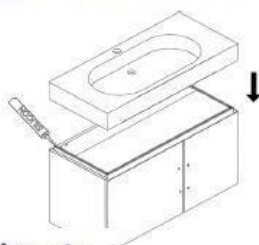


2  
Secure the unit to the wall using a suitable wall fixing for your wall type (fixings not supplied with unit) ie plug and screw for solid walls

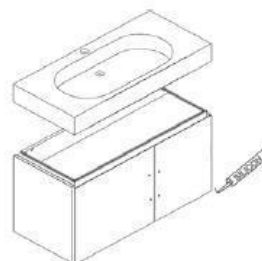


On receipt of the product check for damage prior to commencement of any installation.  
Damage notified after or during installation will be deemed as installation damage

3  
Apply a bead of silicone between the basin and the unit  
Place the basin/top onto the unit, again ensuring all parts are level  
Also apply silicone at any join between the basin and walls



4  
It is recommended to silicone around the base of the unit, to prevent water from passing between the unit and the floor



**buyitdirect** >

Leave all silicone to dry for at least 24 hours before use

## Maintenance

The basin and any chrome components should be cleaned using a soft damp cloth, no abrasive cleaning agents or materials should be used, as this can affect the surface finish.

Use of any abrasives can invalidate your guarantee.

## Cleaning

To maintain the surface finish of your product, wipe clean after every use, using a clean damp cloth, a mild detergent mixture can be used. Do not use abrasive cleaning agents or materials which can strip and scratch the surface; the use of these agents or materials can invalidate your guarantee.

### For more information

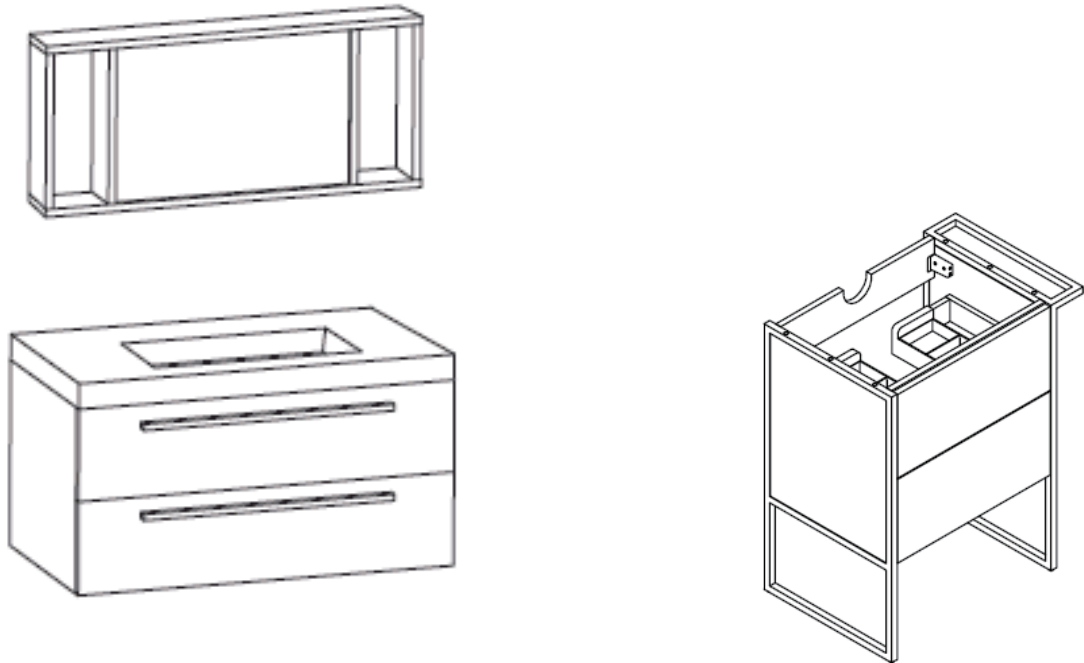
- visit [betterbathrooms.com](http://betterbathrooms.com)
- email [customerservices@buyitdirect.co.uk](mailto:customerservices@buyitdirect.co.uk)
- call 0330 390 3062
- write to Trident Business Park, Neptune Way, Huddersfield, HD2 1UA

**better  
bathrooms**

Part of the BuyItDirect Group



## INSTALLATION MANUAL



### Non-Illuminated Bathroom Mirror and Furniture

**Thank you for choosing a Better Bathrooms Product**

**Please read this user manual before installing and using this product**

**Keep it safe for future reference.**

**Visit our page [www.betterbathrooms.com/](http://www.betterbathrooms.com/) for our entire range of Mirrors and Furniture**

# INSTALLATION TOOLS



Spirit Level



Electric drill



Drill bit  
( $\Phi 8$ )



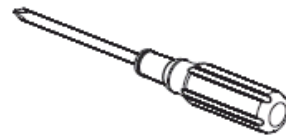
Tape measure  
(3m~5m)



Silicone



Pencil



Screwdriver

# PARTS LIST

| Product   | Description | Qty | Description | Qty | Description  | Qty | Description       | Qty | Description        | Qty | Description       | Qty | Description        | Qty |
|---|-------------|-----|-------------|-----|--------------|-----|-------------------|-----|--------------------|-----|-------------------|-----|--------------------|-----|
| 24975 24976 24977                               | Wall Screw  | 6   | Wall Plug   | 6   | Wall Bracket | 2   | Round door handle | 2   | Round handle screw | 2   | Shell Door Handle | 2   | Shell Handle Screw | 4   |
| 24978 24979 24980                               | Wall Screw  | 6   | Wall Plug   | 6   | Wall Bracket | 2   | Round door handle | 2   | Round handle screw | 2   | Shell Door Handle | 2   | Shell Handle Screw | 4   |
| 24981 24982 24983                               | Wall Screw  | 2   | Wall Plug   | 2   | Brass washer | 2   | Plastic washer    | 2   | Screw Cap          | 2   |                   |     |                    |     |
| 2498424985 24986                                | Wall Screw  | 6   | Wall Plug   | 6   | Wall Bracket | 2   | Round door handle | 2   | Round handle screw | 2   |                   |     |                    |     |
| 25008 25009 25010                               | Wall Screw  | 6   | Wall Plug   | 6   | Wall Bracket | 2   |                   |     |                    |     |                   |     |                    |     |
| 2501125012 25013                                | Wall Screw  | 6   | Wall Plug   | 6   | Wall Bracket | 2   |                   |     |                    |     |                   |     |                    |     |
| 2501425015 25016                                | Wall Screw  | 6   | Wall Plug   | 6   | Wall Bracket | 2   |                   |     |                    |     |                   |     |                    |     |
| 2501725018 25019                                | Wall Screw  | 2   | Wall Plug   | 2   | Brass washer | 2   | Plastic washer    | 2   | Screw Cap          | 2   |                   |     |                    |     |
| 25826 25827 25828 25829 25830 25831 25832 25833 | Wall Screw  | 6   | Wall Plug   | 6   | Wall Bracket | 2   | Frame Screw       | 12  |                    |     |                   |     |                    |     |
| 25841 25842 25843                               | Wall Screw  | 6   | Wall Plug   | 6   | Wall Bracket | 2   |                   |     |                    |     |                   |     |                    |     |
| 25838 25839 25840                               | Wall Screw  | 6   | Wall Plug   | 6   | Wall Bracket | 2   | Round door handle | 1   | Round handle screw | 1   | Shell Door Handle | 1   | Shell Handle Screw | 2   |
| 26938 26939 26940                               | Wall Screw  | 2   | Wall Plug   | 2   | Brass Washer | 2   | Plastic Washer    | 2   | Screw Cap          | 2   |                   |     |                    |     |
| 27465 27466 27799                               | Wall Screw  | 2   | Wall Plug   | 2   | Brass washer | 2   | Plastic washer    | 2   | Screw Cap          | 2   |                   |     |                    |     |



Shell



Round



Handle



Wall



Plastic



Brass



Screw



Wall



Wall



Frame

Handle

Handle

Screw

Screw

Washer

Washer

Cap

Plug

Bracket

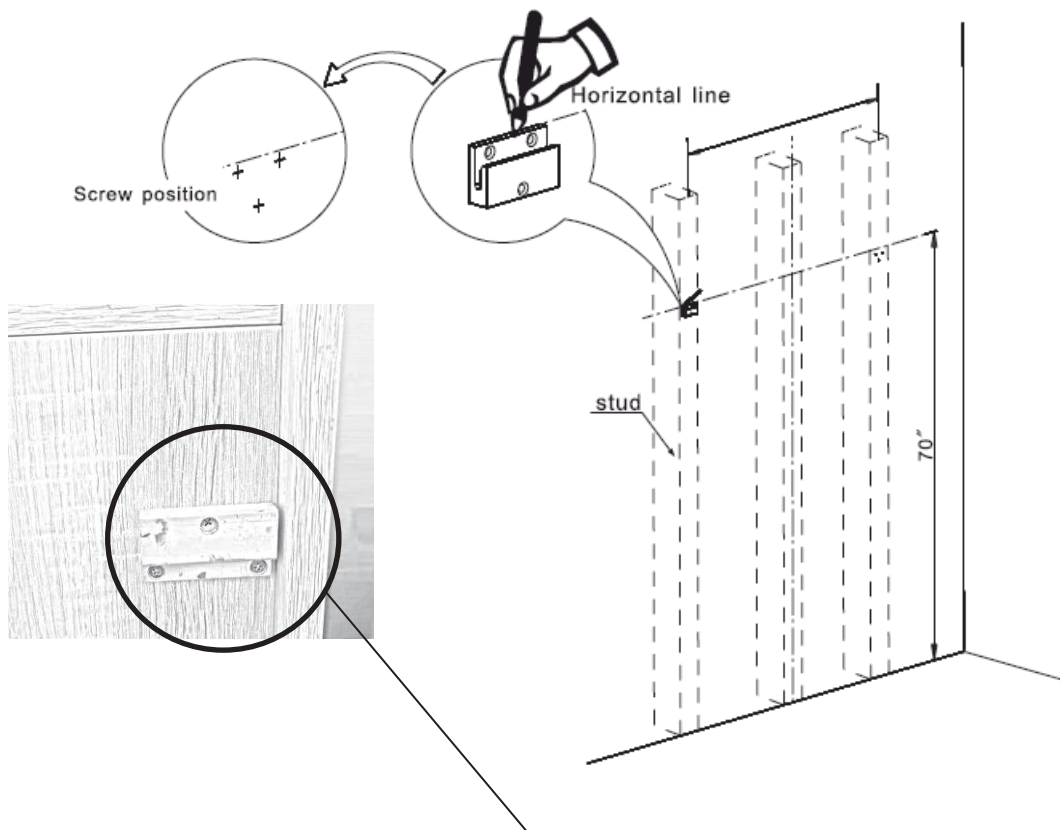
Screw

# INSTALLATION – Check the product for damage prior to installation

Before any drilling is carried out, please check for pipes and wires within the wall which could be damaged.

## MIRROR INSTALLATION

1



Fitted to the rear of the unit are x 2 fixing brackets, measure the distance between the two brackets and mark this distance on the wall, ensuring this horizontally aligned, using a spirit level.

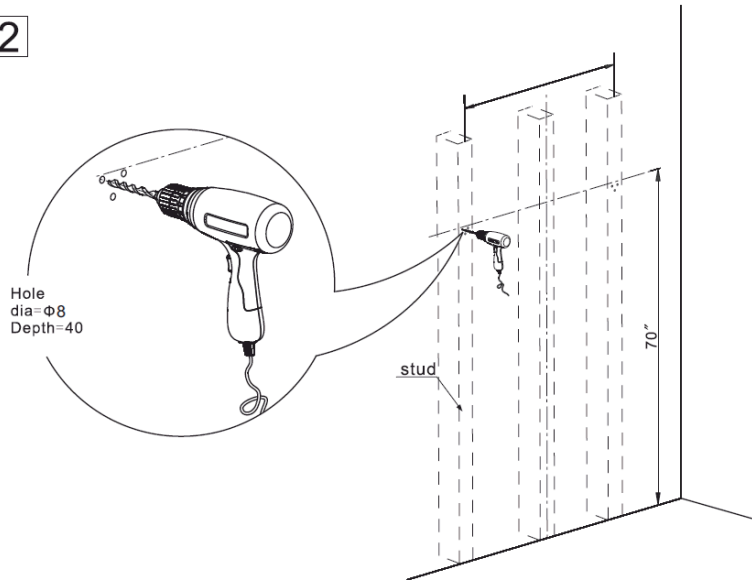
We recommend a height for the brackets of 70" (1778mm) from the floor, but this is customer choice.

It is recommended to install to a solid wall, but if fitting to a stud wall, the fixings must be secured into a stud, not only into the plasterboard.

## MIRROR INSTALLATION

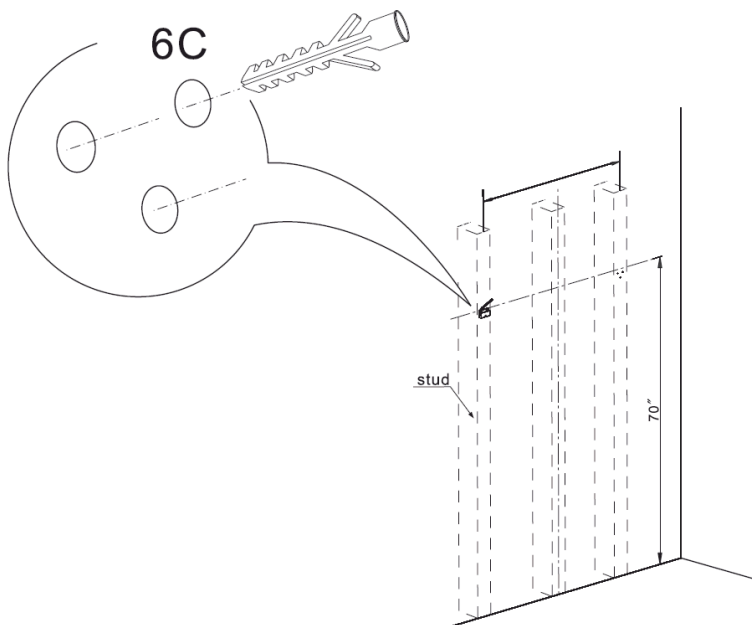
After the position of the brackets is marked, drill the holes in the wall, using an 8mm drill bit (not supplied), to a depth of approx 40mm.

2



Insert the wall plugs and tap flush with the wall surface.

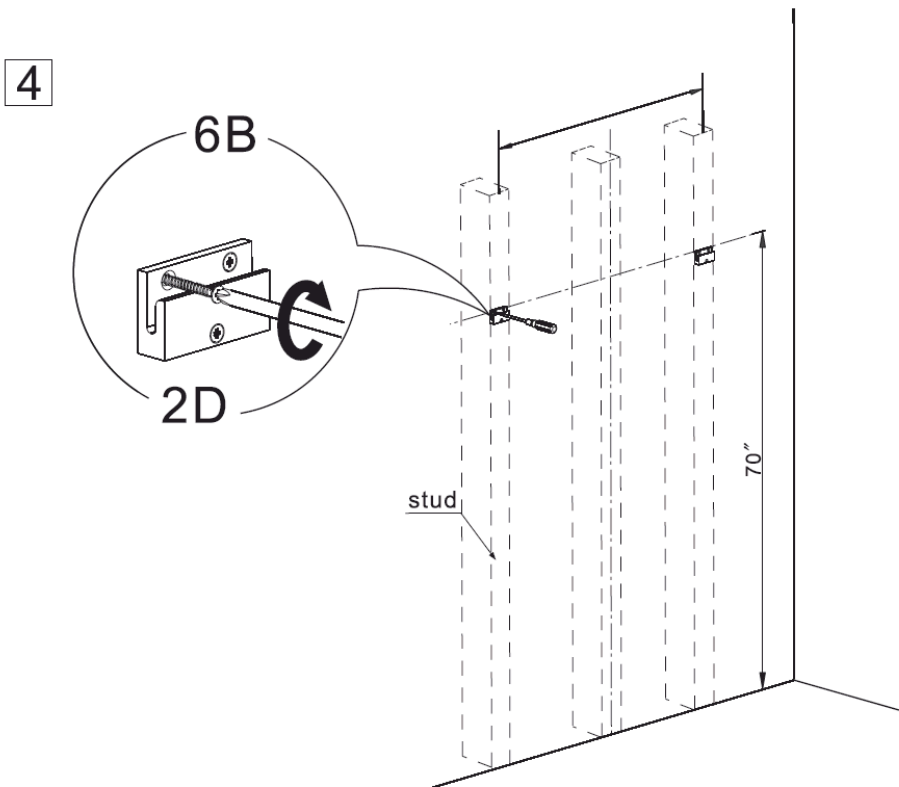
3





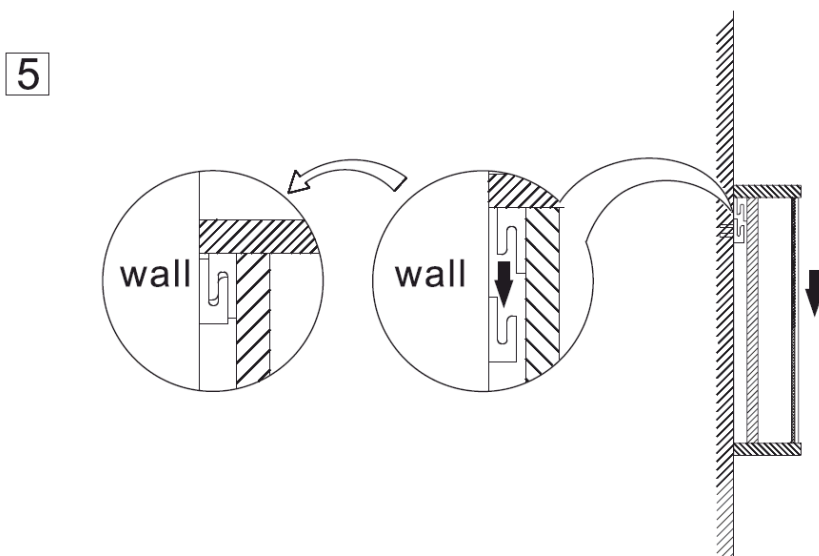
## MIRROR INSTALLATION

Hold the bracket up to the wall over the drilled holes and secure using the screws provided.



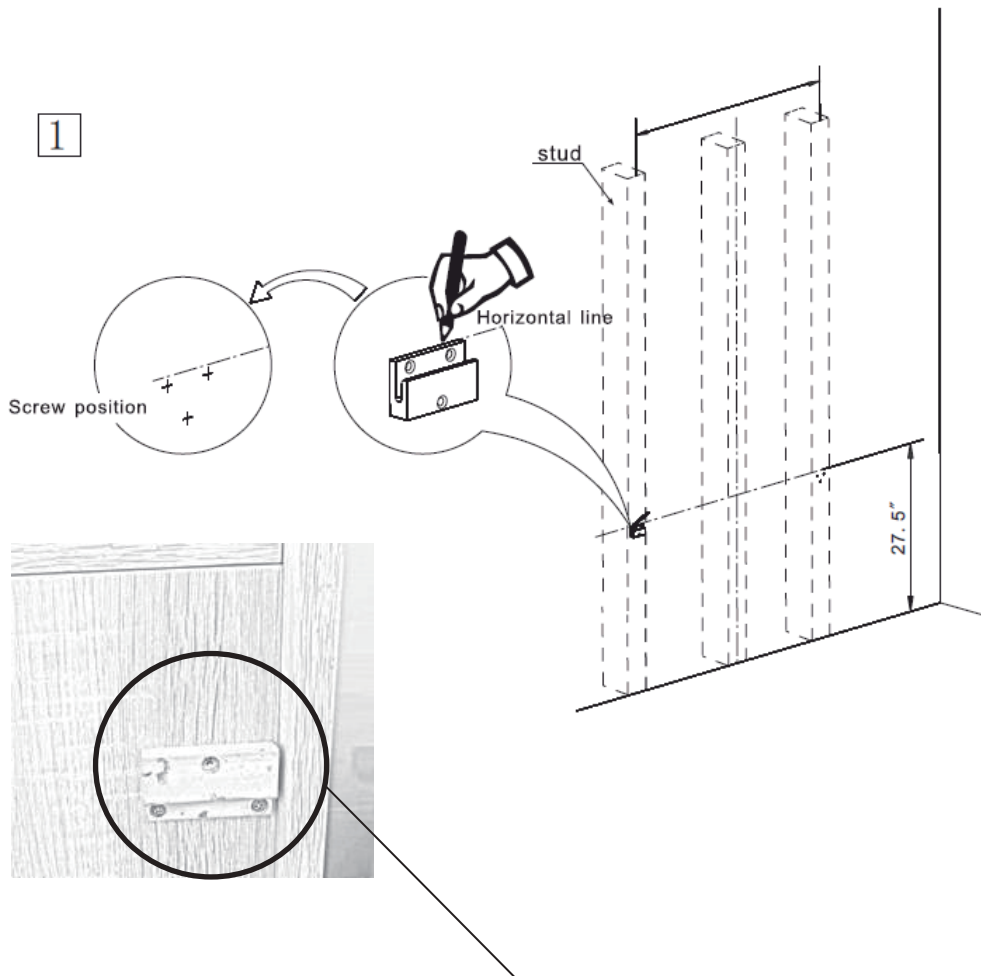
Ensure the brackets on the rear of the unit are fully tightened.

Lift the product on the wall mounted brackets to engage both sections of the brackets.



Once installed a bead of silicone can be applied around the edges of the unit if required.

## CABINET INSTALLATION



Fitted to the rear of the unit are x 2 fixing brackets, measure the distance between the two brackets and mark this distance on the wall, ensuring this horizontally aligned, using a spirit level.

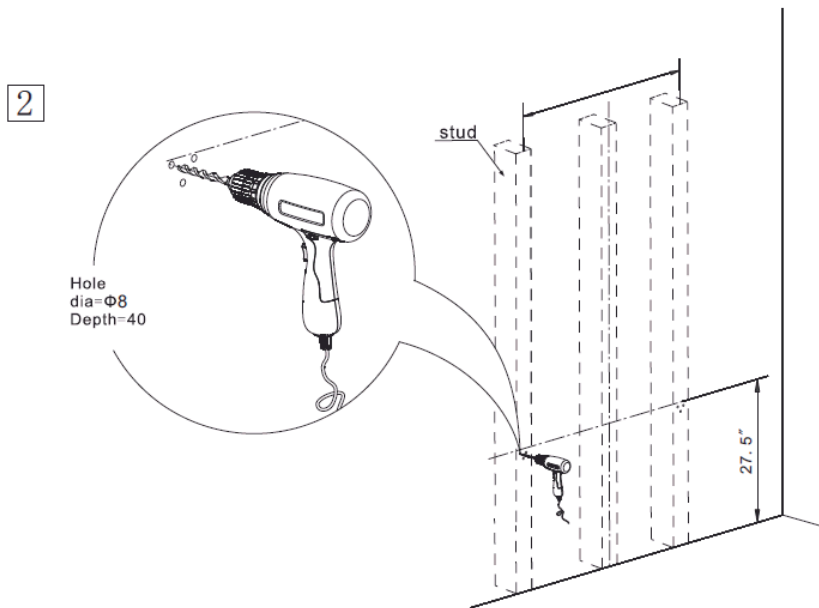
We recommend a height for the brackets of 27.5" (698mm) from the floor, but this is customer choice.

It is recommended to install to a solid wall, but if fitting to a stud wall, the fixings must be secured into a stud, not only into the plasterboard.

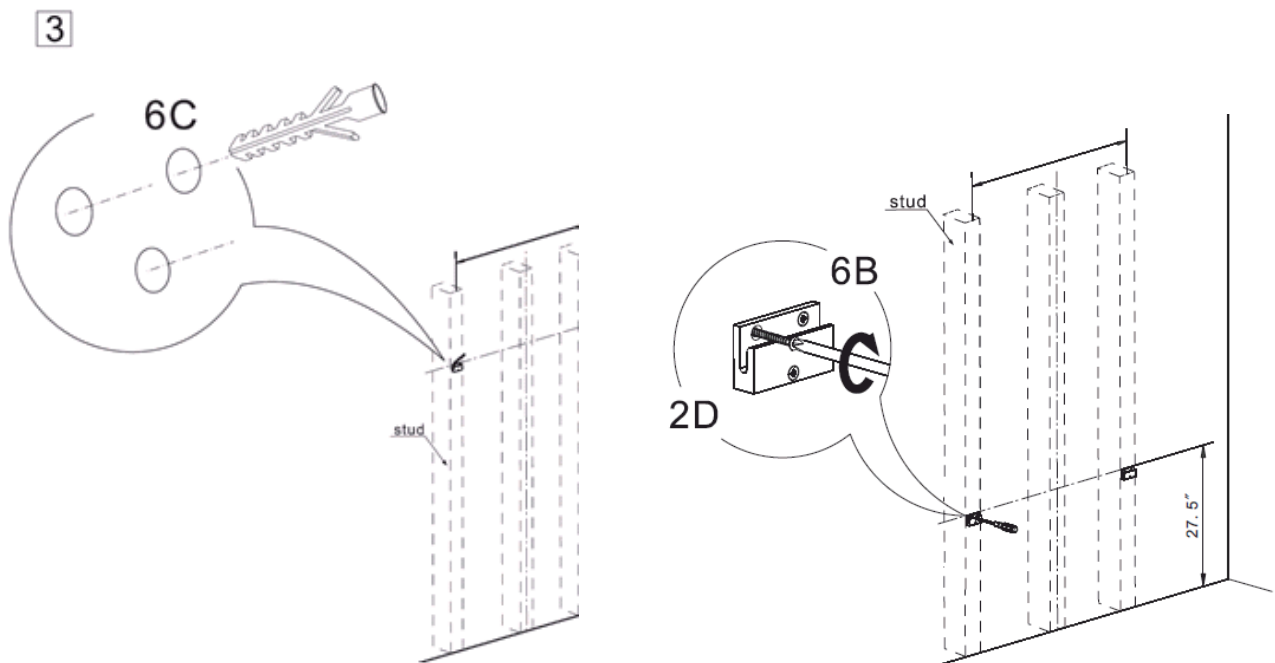
It is also recommended to set up the unit before installing the basin not the unit, so any adjustment can be made, via the fixings on the unit.

## CABINET INSTALLATION

After the position of the brackets is marked, drill the holes in the wall, using an 8mm drill bit (not supplied), to a depth of approx 40mm.



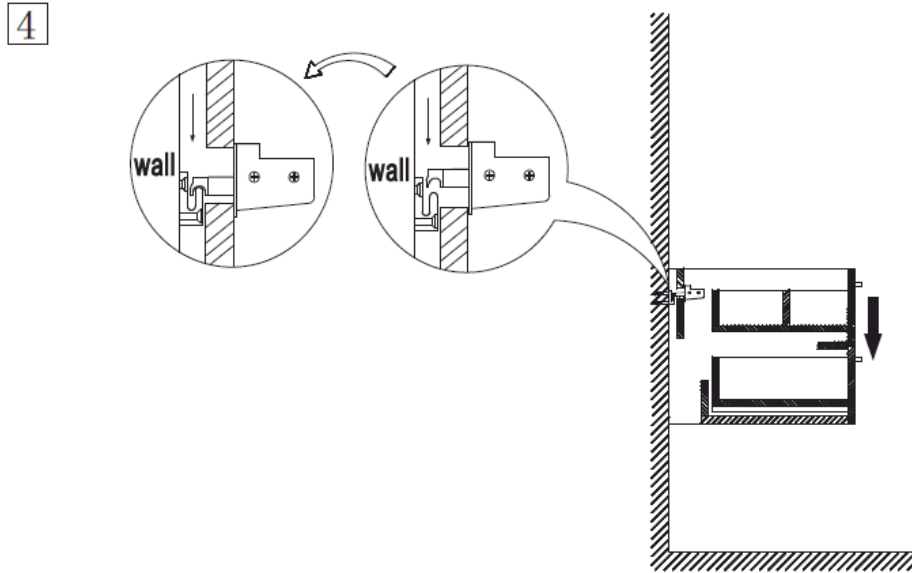
Insert the wall plugs and tap flush with the wall surface and secure the wall brackets into place.



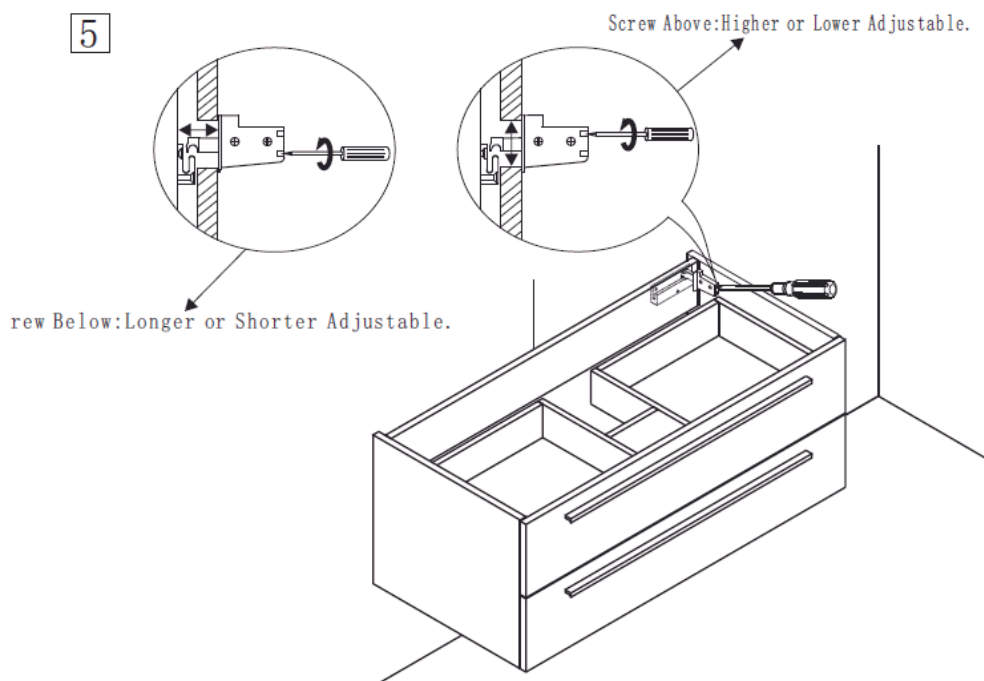
## CABINET INSTALLATION

Check the brackets fitted to the unit are fully tightened.

Lift the unit onto wall fitted brackets.



If any adjustment forward or backward / up or down is required this is possible via the fitted adjusters on the inside of the unit.

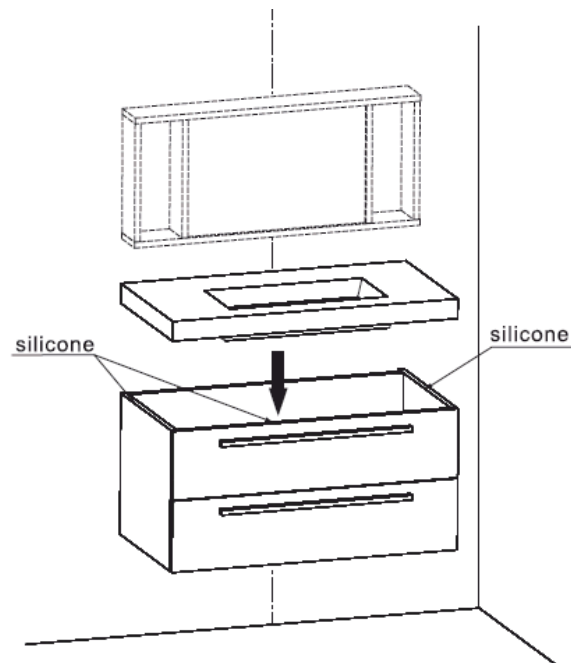


## CABINET INSTALLATION

After any adjustment of the unit has been made the basin can be fitted to the unit, by applying a bead of silicone between the unit and basin to provide a seal and fixing for the basin to the unit.

Also run a bead of silicone along the back edge of the base where it meets the wall.

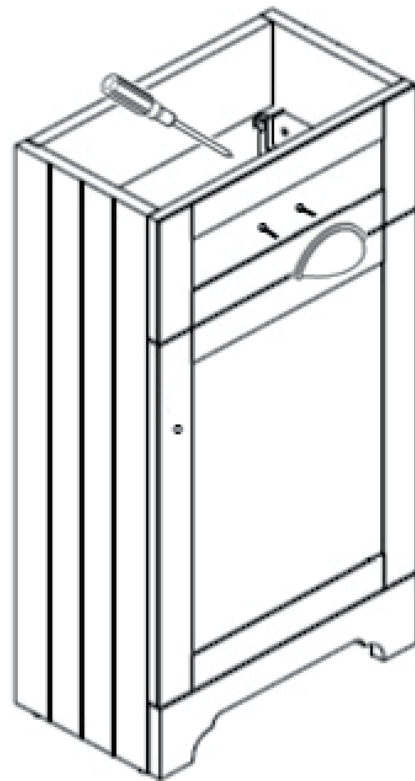
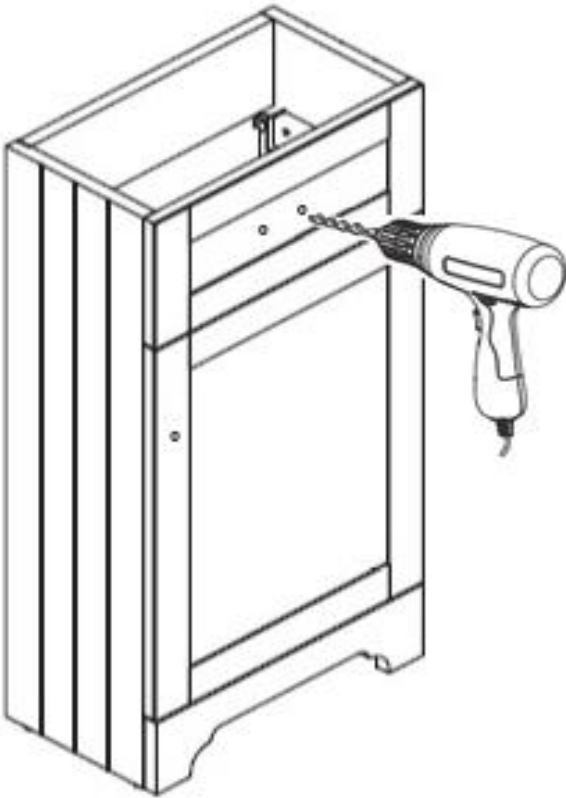
6



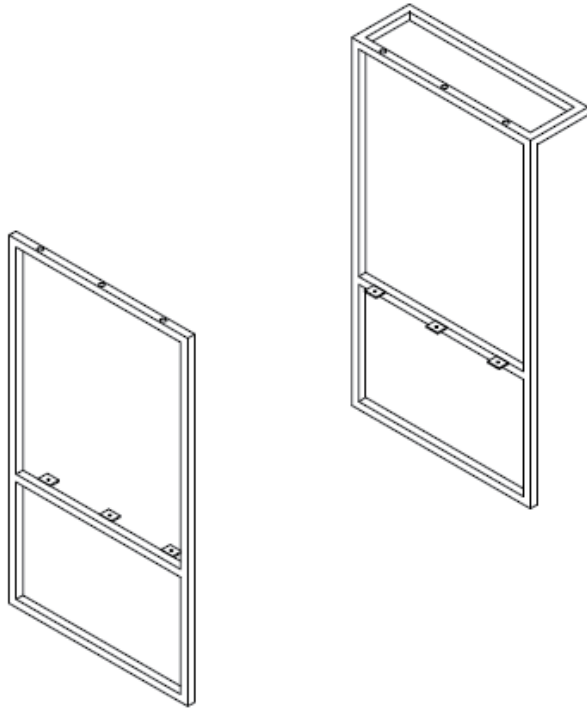
## DOOR HANDLE INSTALLATION

The doors which are to be fitted with handles, either the round or shell type are provided with pilot holes which should be drilled to allow fitting of the handle screw through the door and into the handle.

Drill the holes, then place the screw through the unit from inside the door, connect this to the handle and tighten

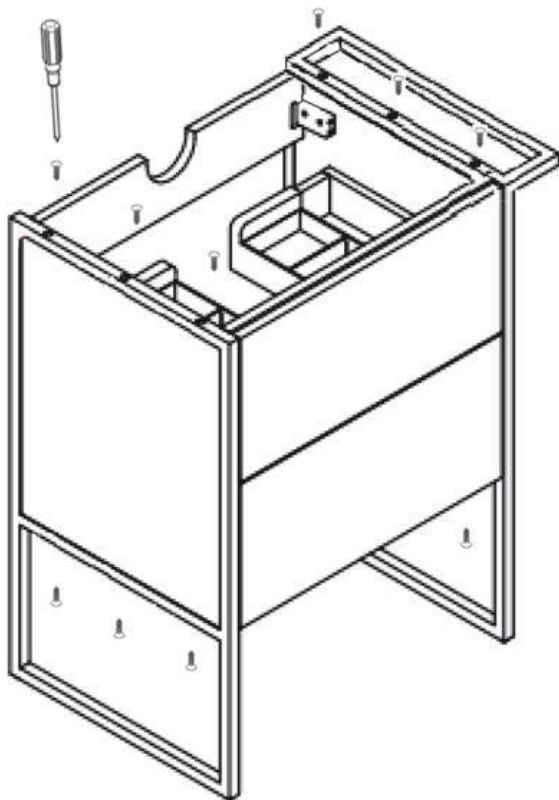


## FRAMED FURNITURE ASSEMBLY



Place the frame onto the unit and screw the frame to the unit through the holes in the frame, ensuring this is aligned with the unit edge.

Ensure this is fully secured before use



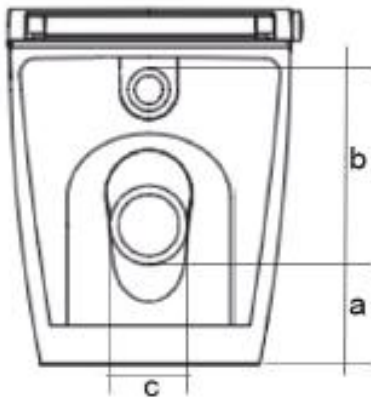
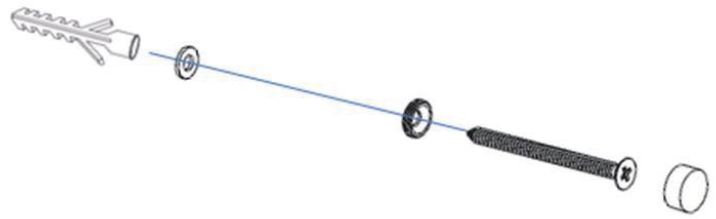
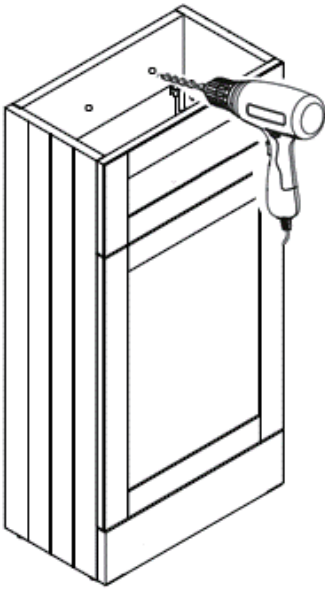
## WC UNIT INSTALLATION

Drill into the wall through the rear plinth of the WC unit.

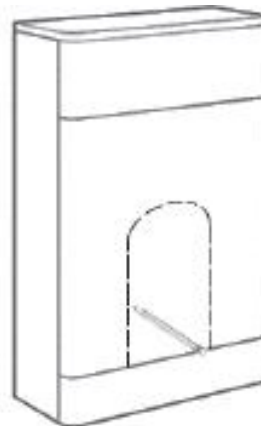
Fit the wall plug

Place the screw through the washers and secure to the wall.

Fit brass screw cap to brass washer



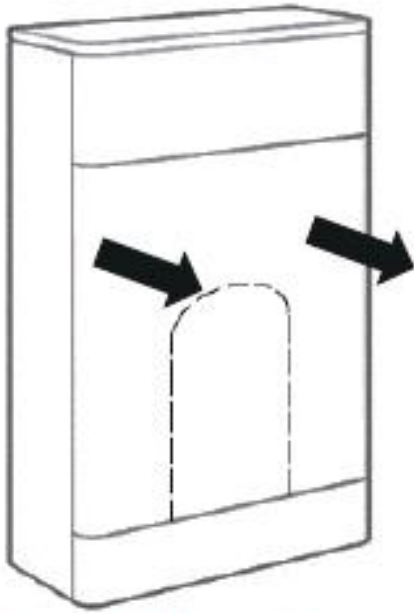
Measure the height from the floor to height a then measure height b and allow 5mm tolerance, then measure width c and allow 5mm



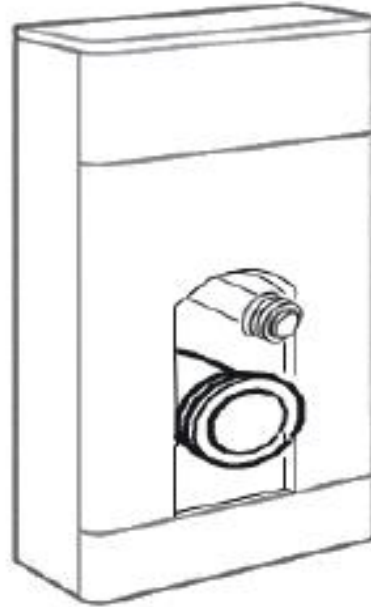
Mark these dimensions on to the front panel of the unit using a pencil



## WC UNIT INSTALLATION



Remove the front panel from the unit and cut the hole to allow the waste pipe and flush pipe to pass from the cistern



It is recommended to seal the cut edge and bottom edge of the unit, to protect against moisture ingress

## **CLEANING AND MAINTENANCE**

Wipe the product clean and dry regularly, especially when the product is subject to steam or splashes.

Do not use harsh chemicals or materials on the product, as this will damage the product and invalidate your guarantee.

To clean and maintain the product, wipe using a clean damp cloth and wipe dry with a soft cloth.

We hope your new product goes above and beyond your expectations. However, should any problems occur, please:

- log in to your account and contact our customer services team via your self-serve portal – [betterbathrooms.com/CustomerAccount/Login](https://betterbathrooms.com/CustomerAccount/Login)
- contact us via [betterbathrooms.com/content/contact-us](https://betterbathrooms.com/content/contact-us)

# USER MANUAL

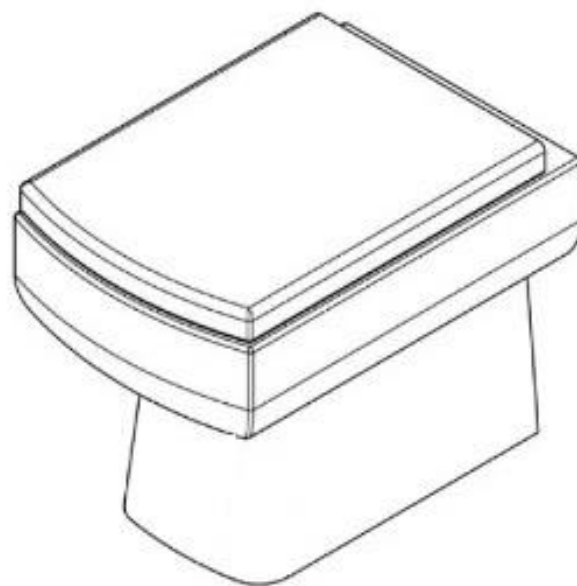


Thank you for choosing Better Bathrooms.  
Please read this manual before installing your product  
and keep for future reference.

**better  
bathrooms**

## Back to Wall Toilet

- Toilet seat and cistern sold separately
- Waste pipe sold separately if a new installation



Please note: Image is for illustrative purposes only and may differ slightly to the actual product

- **Single-person assembly**
- **Tools required**
- **We always recommend using professional tradespeople to install your product**

V2 1.12.20

# Congratulations on your purchase

*And welcome to our growing gang of savvy shoppers*

We're on a mission to bring you extraordinary bathroom products, for less. From modern to traditional style ceramics, plus the gorgeous fixtures, fittings and furniture to match. So, you can fall in love with your space every single day.

As one of the UK's largest independent bathroom stores, we've received countless awards; including the National Business Awards UK, the Digital Entrepreneur Awards and being placed on The Sunday Times Fast Track 100.

We hope your new product exceeds your highest expectations. However, if you experience any problems, please:

- call our friendly UK call centre on **0330 390 3062** (9am-7pm Monday to Friday, or 10am-4pm Saturday and Sunday), or
- send us a message via **customerservices@buyitdirect.co.uk**

## Important information

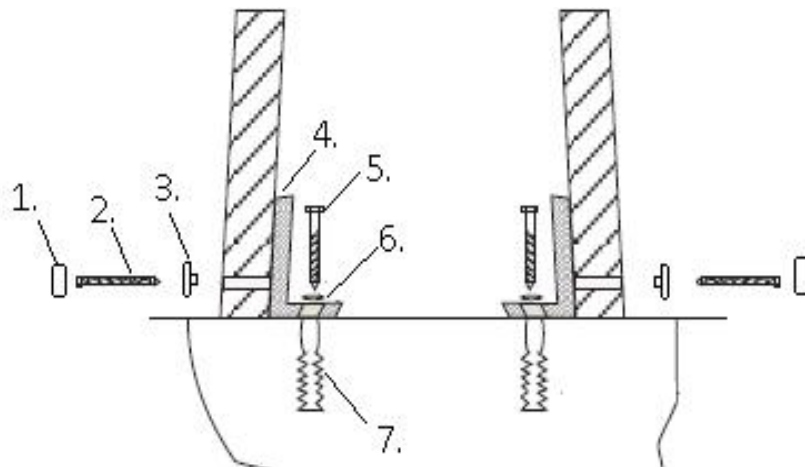
- Please read these instructions thoroughly and retain for future reference.
- Manufactured to BS EN997 WC pans and WC suites with integral trap.
- All installation work must be carried out to comply with the Water Bylaw Regulations.
- The installation should be designed to allow access for maintenance.
- This manual covers installation of the toilet pan only - Unit, seat and cistern are NOT supplied.



# Contents

|   |     |
|---|-----|
| • Parts   | 4   |
| • Tools required                                | 4   |
| • Installation                                  |     |
| ○ Preparing for Back to Wall Toilet Pan Fitting | 5   |
| ○ Back to Wall Toilet Pan Fitting               | 6-8 |
| • Troubleshooting                               | 9   |
| • Maintenance                                   | 9   |
| • Cleaning                                      | 9   |

# Parts



## Toilet Pan

### Floor fixing kit (below components)

1. Screw cover
2. Bracket to pan fixing screw
3. Screw cup
4. Floor fixing 'L shaped' bracket
5. Floor screw
6. Screw washer
7. Screw plug

**Please Note:** For toilets which secure through the toilet directly into the floor, the 'L shaped' bracket is not used

## Tools required

- Screwdriver
- Pencil
- Drill
- Spirit Level
- Drill Bit
- Hacksaw
- Spanner

# Installation

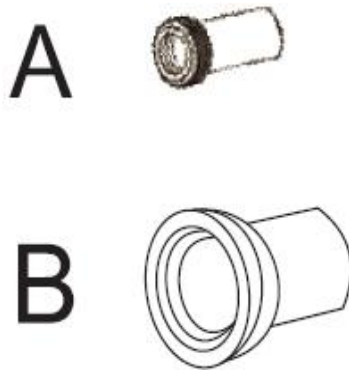
**Please note:** Before starting any installation, turn off the water supply

**Please note:** Whenever possible and when safe to do so, it is recommended to carry out leak tests during the installation process

## Preparing for Back to Wall Toilet Pan Fitting

A – Flush pipe is supplied with the concealed cistern assembly, (cistern sold separately).

B – Pan connector (waste pipe) may need to be purchased separately if a new installation.

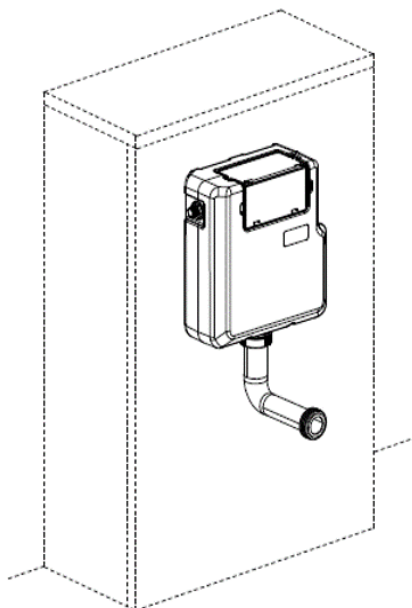


**Please note:** Pipes are not included.

Once you have received your toilet pan, this will allow you to prepare and install the cistern and WC unit (both sold separately). To install the cistern and WC unit, please use the instruction guides supplied with them.

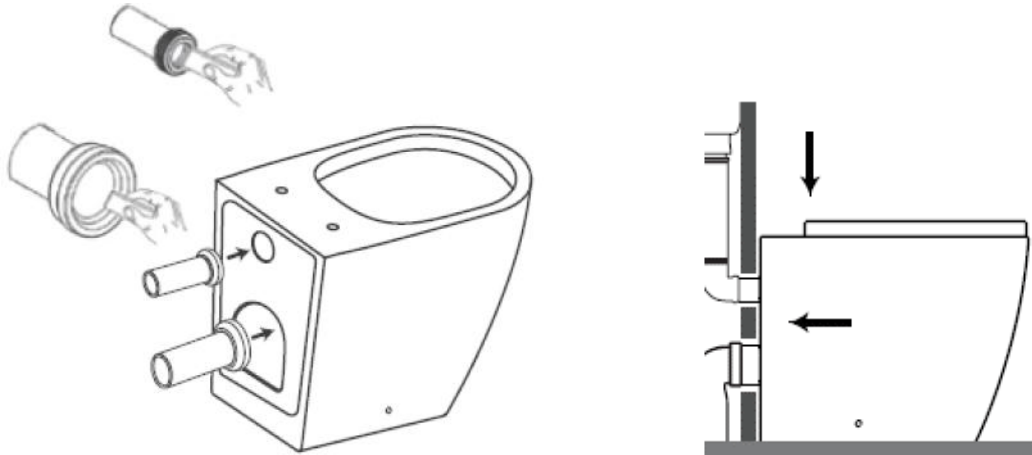
## This guide advises on installation of the back to wall toilet pan only.

Below example shows the assembly of a concealed cistern and WC unit prior to fitting the back to wall toilet pan.

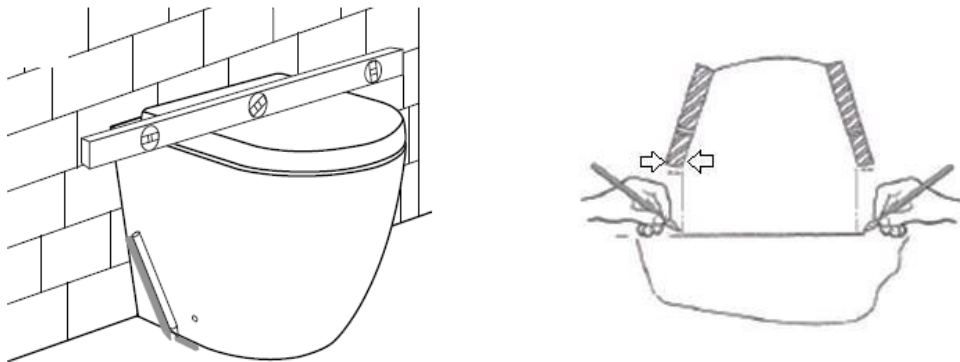


## Back to Wall Toilet Pan Fitting

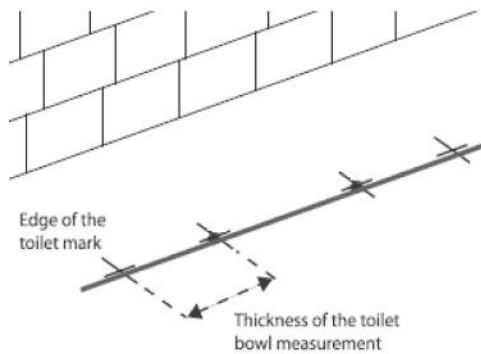
1. Prepare the pipes as advised (cutting of the flush pipe and pan connector may be required).
2. Add a small amount of lubricant (washing up liquid) to the seals on the pipes to assist with fitting, then push the toilet up to the finished wall / WC unit, with the pipes fully connected.



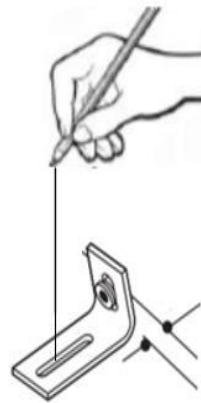
3. Ensure that the toilet pan is level and backed fully against the wall / WC unit, then mark on the outer edge of the pan (at both sides), align with each fixing hole located in the side wall of the toilet pan.



4. Remove the pan from the location, turn over, then measure the thickness of the toilet side wall and make another mark in from the original mark, and in line with the fixing hole, as shown below. Repeat on the other side.

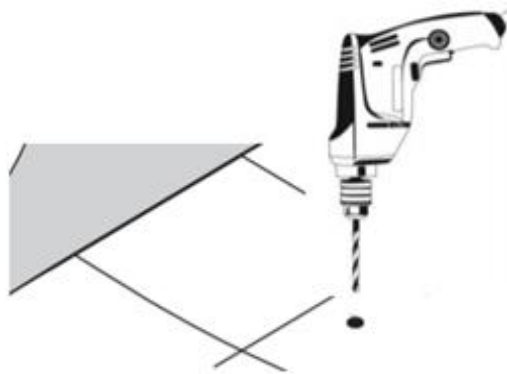


5. If using the 'L' shaped bracket assembly, place the front edge of the bracket on the inside mark, then mark the screw hole position to secure the bracket to the floor. Repeat on the other side.



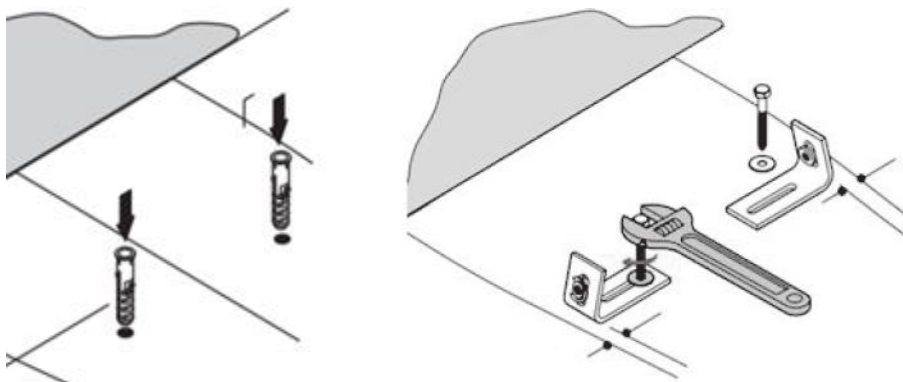
**Please Note:** For toilets which secure through the toilet directly into the floor, the L shaped bracket is not used

6. Remove the brackets and drill the holes, ensuring that no pipes or cables can be damaged.



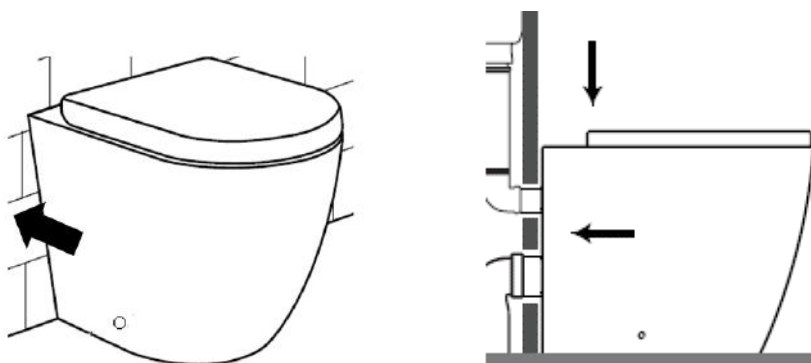


7. If fitting into a solid floor, you will need to install the screw plugs and tap flush to the floor, then place the brackets over the drilled holes/plugs and insert the screws and washers through the brackets and secure into position.

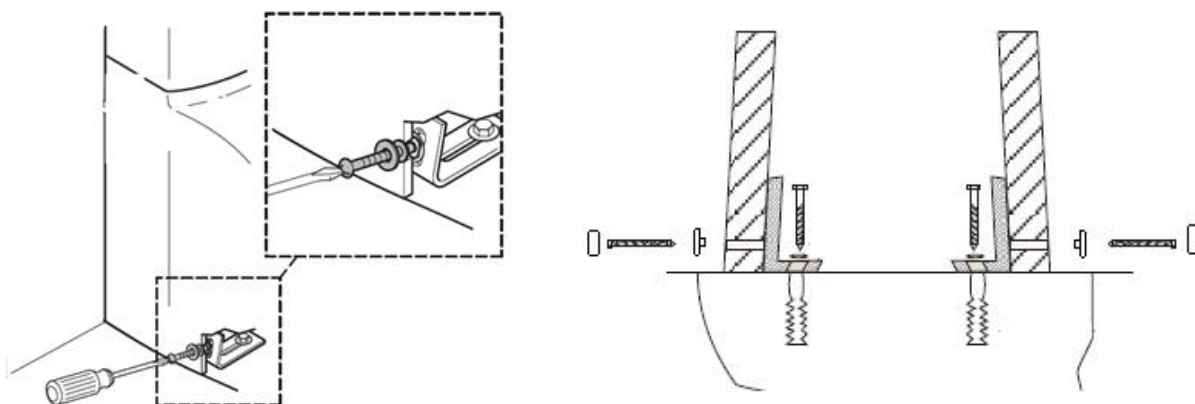


**Please note:** Depending on the specification, this may be a screwdriver slot, not a spanner fitting

8. After securing the brackets, re-fit the toilet pan and push it back fully against the wall / WC unit, so that the fixing holes align with the floor brackets.



9. Once aligned, secure the toilet pan into position using the fixings provided, do not overtighten. Finish by pushing on the screw covers.



10. Once the installation is completed, a small bead of silicone can be applied around the bottom edge of the toilet pan.



# Troubleshooting

## Flush volume into the pan, not sufficient

1. Adjust the flush volume level on the syphon.
2. Check that the syphon is opening correctly.
3. If none of these resolve the issue replace the syphon.

## Water running into the pan continually after flushing

1. Establish if the water level in the cistern is reaching the overflow on the syphon, if it does reach the overflow adjust the inlet valve.
2. If this continues, replace the inlet valve
3. If the water level does not reach the overflow on the syphon, remove the top section of the syphon and check the washer for damage.
4. If the washer is damaged then replace.

# Maintenance

All of the maintenance measures resulting from troubleshooting above requires you to access the internals of the cistern tank and for the water supply to be turned off. Please refer to the instruction guide supplied with your cistern for further guidance.

**Please note:** Before carrying out any internal maintenance, turn off the water supply

# Cleaning

To maintain the surface finish of your product, wipe clean after every use, using a clean damp cloth, a mild detergent mixture can be used. Do not use abrasive cleaning agents or materials which can strip and scratch the surface; the use of these agents or materials can invalidate your guarantee.

### **For more information**

- visit [betterbathrooms.com](http://betterbathrooms.com)
- email [customerservices@buyitdirect.co.uk](mailto:customerservices@buyitdirect.co.uk)
- call 0330 390 3062
- write to Trident Business Park, Neptune Way, Huddersfield, HD2 1UA

**better**   
**bathrooms**

Part of the BuyItDirect Group

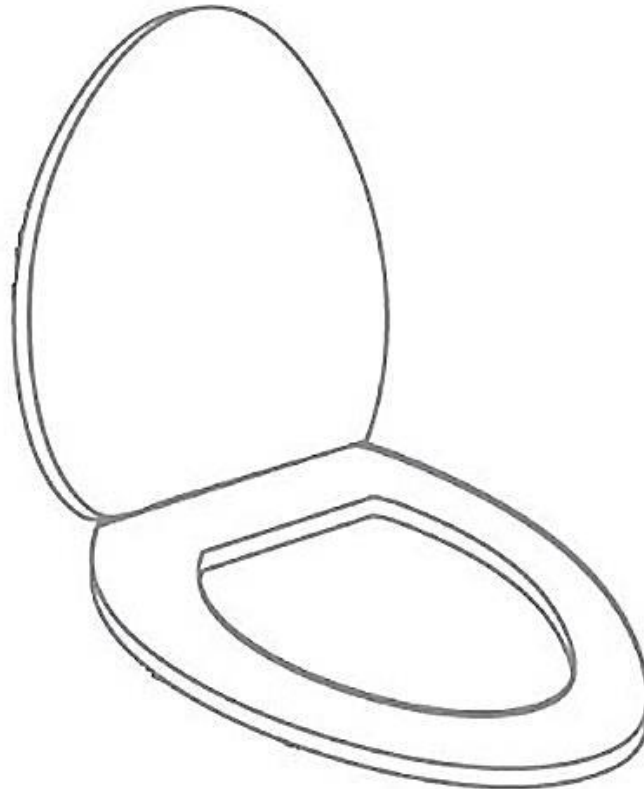
# USER MANUAL



Thank you for choosing Better Bathrooms.  
Please read this manual before installing your product  
and keep for future reference.

**better**   
**bathrooms**

## Top Fix Soft Close Toilet Seat



Please note: Image is for illustrative purposes only and may differ slightly to the actual product

- **Single-person assembly**
- **Tools required**
- **We always recommend using professional tradespeople to install your product**

V2\_1.12.20

# Congratulations on your purchase

*And welcome to our growing gang of savvy shoppers*

We're on a mission to bring you extraordinary bathroom products, for less. From modern to traditional style ceramics, plus the gorgeous fixtures, fittings and furniture to match. So, you can fall in love with your space every single day.

As one of the UK's largest independent bathroom stores, we've received countless awards; including the National Business Awards UK, the Digital Entrepreneur Awards and being placed on The Sunday Times Fast Track 100.

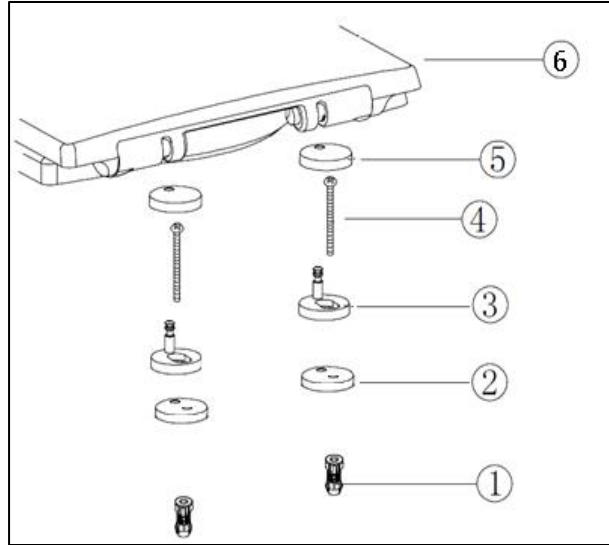
We hope your new product exceeds your highest expectations. However, if you experience any problems, please:

- call our friendly UK call centre on **0330 390 3062** (9am-7pm Monday to Friday, or 10am-4pm Saturday and Sunday), or
- send us a message via **customerservices@buyitdirect.co.uk**

## Important information

- Please read these instructions thoroughly and retain for future reference
- Manufactured to BS EN 1254 – Specification for WC seats (plastics)

# Parts



Please note that Parts are for illustrative purposes only and may differ slightly to the actual product

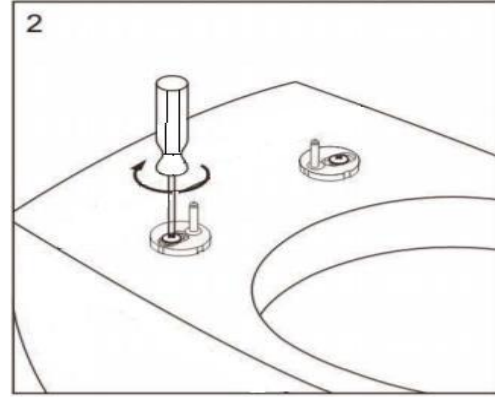
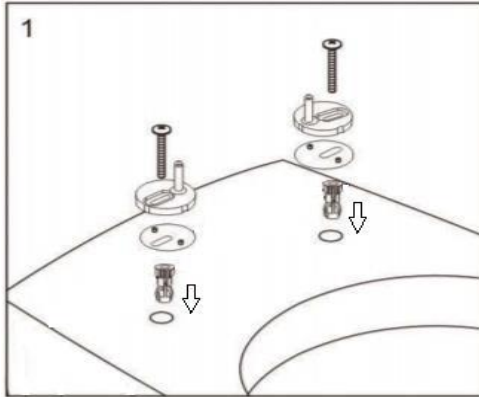
1. Expanding Plug
2. Gasket
3. Fitting Peg
4. Fixing Screw
5. Fitting Cover
4. Seat/Lid Assembly

## Tools required

Screwdriver

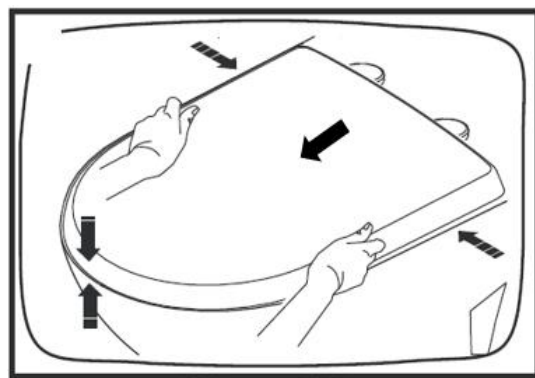
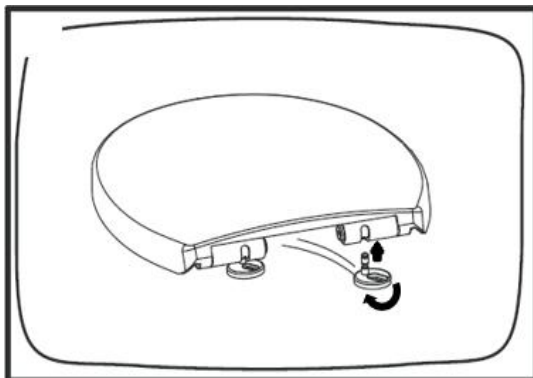
# Installation

1. Push the expanding plugs (part 1) into the holes on the toilet pan then place the gaskets (part 2) between fitting pegs (part 3) and toilet pan. Next, place the long screws (part 4) through the fitting pegs and gaskets and screw into the expanding plug (part 1).

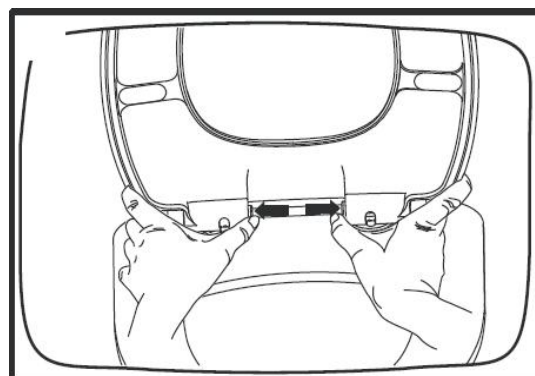
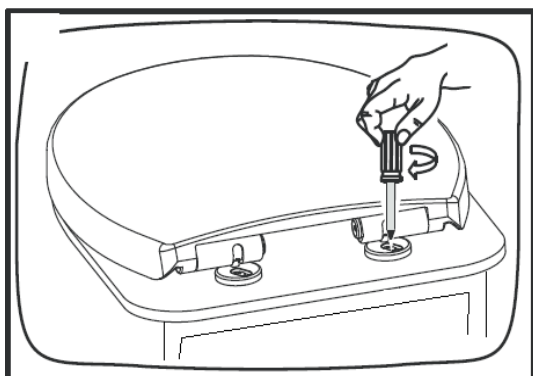


**Please note:** Fit the screws loosely and do not fully tighten at this stage

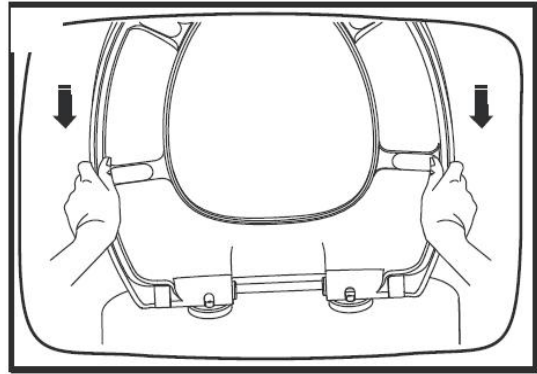
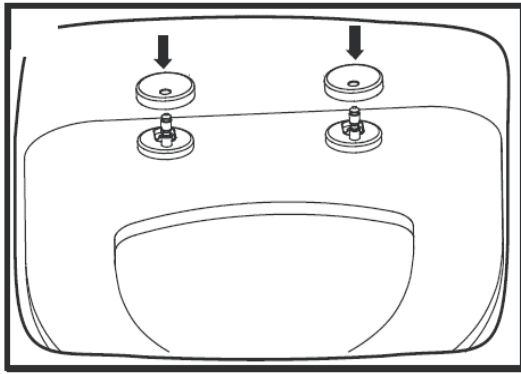
2. Turn the fittings on the toilet so that they align with the holes on the seat, then push the seat onto the pegs until it clicks into place. Gently move the seat so that it aligns on the toilet pan.



3. Once the seat is aligned, tighten the screws into the fittings (as below) then once the seat is secured, remove it by pressing both buttons and lifting away.



4. Place the fitting covers over the fixed fittings then push the seat onto the fitting pegs and click into position



## Using

During use do not force the seat closed as this will damage the soft close mechanism.

Pull the seat and/or lid towards you slightly until it reaches the point at which it will fall under its own weight, then release.

Do not stand on the toilet seat.

## Cleaning

To maintain the surface of your product, wipe with a clean damp cloth and wipe dry, do not use any abrasive cleaning agents or materials.

It is recommended to wipe the seat and fittings on a regular basis.



# Troubleshooting

## Seat becomes loose after a period of use

Remove the seat and re-tighten the fittings.

## Soft close mechanism stops working

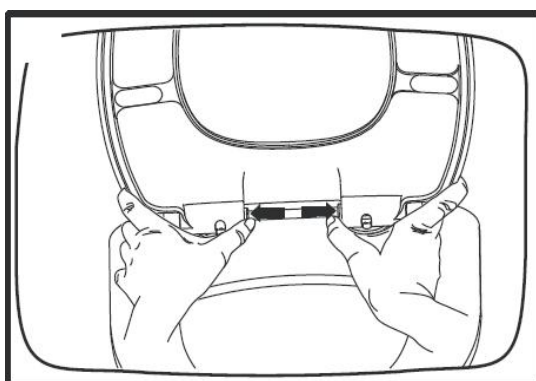
The mechanism cannot be replaced, replace the seat and lid, however, the fittings can remain fitted. Removal of seat/lid is advised in Maintenance (below).

## Seat is short or overhangs the toilet pan

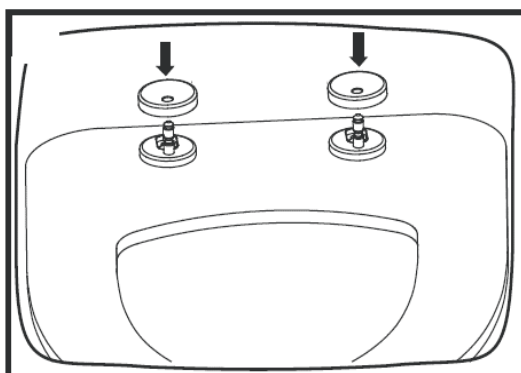
Align the seat lid with the front edge of the toilet pan, the fittings are adjustable.

# Maintenance

- To remove the seat/lid, press the two buttons at the rear of the seat and pull the seat/lid away from the fitting pegs. When replacing ensure it clicks into place.



- To access the fixing screws, remove the lid/seat as above, then pull off the covers.



### **For more information**

- visit [betterbathrooms.com](http://betterbathrooms.com)
- email [customerservices@buyitdirect.co.uk](mailto:customerservices@buyitdirect.co.uk)
- call 0330 390 3062
- write to Trident Business Park, Neptune Way, Huddersfield, HD2 1UA

**better  
bathrooms**

Part of the BuyItDirect Group

# Cable Operated Dual Flush Concealed Cistern

## FITTING INSTRUCTIONS

Please ensure these instructions are followed carefully – if you are unsure about any aspect of the installation, please consult a Qualified Installer. In the event of any problem with the function of this equipment, please check installation before contacting your supplier.

Before commencing installation, please check that all of the following items have been supplied, and you are thoroughly familiar with these instructions.

## CONTENTS IN CARTON

Cistern Lid  
Cistern Body  
Flushpipe  
Inlet Valve

Outlet Valve  
Wall Hanging Bracket  
Fixings Pack

All parts are quantity 1 unless stated otherwise

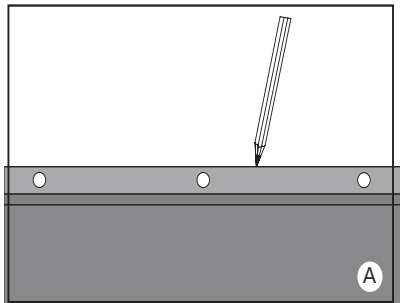
## INSTALLATION OF EQUIPMENT

Do not use mole grips on plastic nuts

Do not use a sealing compound as damage may occur to plastic components.

Do not overtighten plastic nuts

The fixings supplied with this cistern will NOT suit every type of material or construction



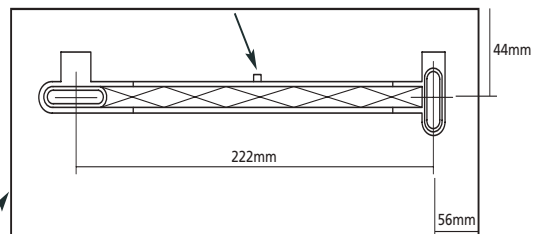
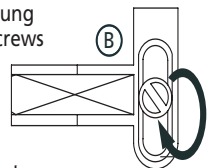
Line markings of cistern as drawn in picture 'A'

### CISTERN BODY

Note: Maximum dimensions of flushpipe. Establish where cistern is to be located relative to the WC pan. Hold cistern in place, ensure cistern is level using a spirit level, and mark where the cistern is to be located, as shown in picture A. Mark top and sides of cistern and fit the wall hung fixing bracket to the dimensions shown below.

Using a screwdriver, lock the wall hung fixing bracket into position using screws provided, as shown in picture 'B'

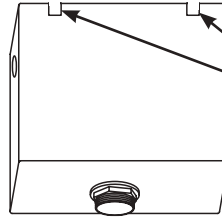
When fitting wall hung fixing bracket, ensure that the arrow indicated points towards wall/cabinet





Place conical sealing washer over threads, insert through hole in cistern secure in place using the slip ring and 1/2" back-nut supplied. Secure hand tight plus half turn with a spanner, tighten further if necessary.

**Do not use mole grips on plastic nuts and do not use sealing compound, as damage may occur to plastic components.**



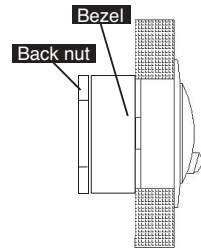
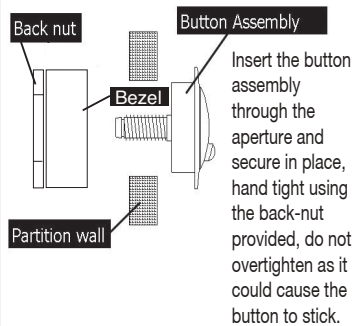
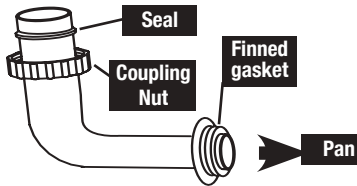
**PUT CABLE INTO SLOT ON CISTERN**

#### OUTLET VALVE

Insert threaded section of the valve into the cistern, with base seal on the inside, secure with back-nut hand tight, tighten further 1/2 turn using a spanner, check for leaks, tighten further if necessary.

Place the coupling nut onto the flushpipe then place the seal as shown, the seal must be no more than 35mm onto the flushpipe, secure the flushpipe onto the valve, hand tight, check for leaks.

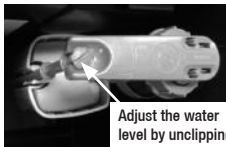
Fit the finned gasket as shown, insert into WC pan and ensure no leaks.



Connect the cable assembly to the button assembly by inserting the threads, then firmly clicking the slide across, please ensure the route of the cable is not kinked.

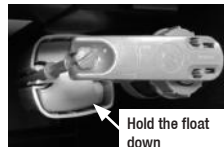
## Final Commissioning

**Ensure that all pipework is clear of debris before connecting to the inlet valve.**



Adjust the water level by unclipping the red rod and move the cup and float up or down and then clip the red rod back into place.

Once installation is complete, turn the water supply and allow the cistern to fill. Adjust the water level by unclipping the red rod and moving the cup and float up or down and then clip the red rod back into place. The water line needs to be set to the 6 litre water line marked in cistern.



Hold the float down

Hold the inlet valve float down, causing the cistern to internally overflow, ensure overflow is capable of discharging the incoming water, if necessary reduce flow by partially closing the isolation valve (not supplied).

|             |            |
|-------------|------------|
| Code No.    | PMCON01    |
| Version No. | 02         |
| Date        | 15/04/2016 |